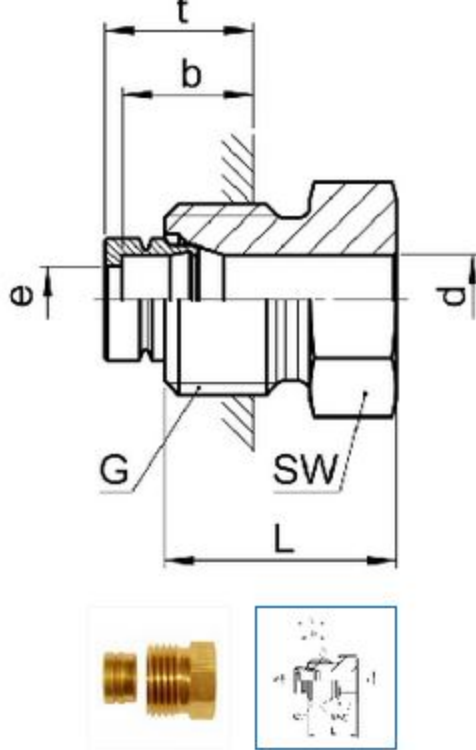


# Anschlussrippel

SO 41001



Type	(Kd.-) Art.-Nr.	d	G	SW	L	b	t	e	kg/100
SO 41001-4-1/8	016.1001.060	4	1/8	10	12.0	6.0	7.0	3.4	0.590
SO 41001-5-1/8	016.1001.082	5	1/8	10	12.0	6.0	7.0	4.0	0.530
SO 41001-6-1/4	016.1001.110	6	1/4	14	16.0	8.5	9.5	4.5	1.430
SO 41001-12-1/2	016.1001.400	12	1/2	22	20.5	12.5	14.0	10.0	4.060
SO 41001-15-1/2	016.1001.534	15	1/2	22	19.5	12.5	14.0	13.0	3.010
SO 41001-6,35-1/4	016.1001.140	6.35	1/4	14	16.0	8.5	9.5	4.5	1.400